

**M12 male 0° / M12 female 90° Steel**

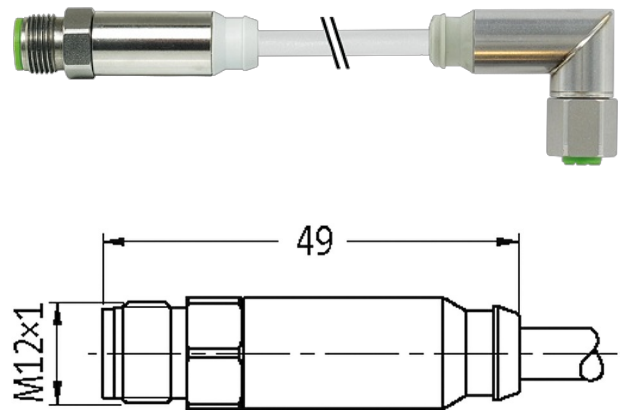
TPE-S 4x0.34 gy 0,6m

F&amp;B-Steel

Male straight – female 90°

M12 – M12, 4-pole

Further cable lengths on request.

[Link to Product](#)**Illustration**

Product may differ from Image

**Approvals**


cCSAus

\* only for products with UL/CSA approved cable

**Form**

Form 40121

**General data**

Temperature range -40...+85 °C, depending on cable quality

**Cables**

|                            |  |
|----------------------------|--|
| No./diameter of wires      | 4 x 0.34 mm <sup>2</sup>                 |
| Wire isolation             | TPE-S (br, wh, bl, bk)                   |
| Material (jacket)          | TPE-S                                    |
| Outer Ø                    | 5.2 mm ±5%                               |
| Temperature range (mobile) | -30...+105 °C                            |
| Bend radius (moving)       | 15× outer Ø                              |
| Temperature range (fixed)  | -50...+125 °C                            |
| Cable identification       | 336                                      |
| Cable weight [g/m]         | 43,01                                    |
| Material (wire)            | Cu wire, bare                            |
| Resistor (core)            | max. 57 Ω/km (20 °C)                     |
| Single wire Ø (core)       | 0.05 mm                                  |
| Construction (core)        | 180× 0.05 mm (multi-strand wire class 6) |
| Diameter (core)            | 4 x 0.34 mm <sup>2</sup>                 |

|                                 |                   |
|---------------------------------|-------------------|
| AWG                             | similar to AWG 22 |
| Material (wire isolation)       | TPE-S             |
| Shore hardness (wire isolation) | 90 ±5 A           |
| Wire-Ø incl. isolation          | 1.5 mm ±5%        |
| Color/numbering of wires        | br, bk, bl, wh    |
| Stranding combination           | 4 wires twisted   |
| Shield                          | no                |
| Material (jacket)               | TPE-S             |
| Shore hardness (jacket)         | 80 ±5 A           |
| Outer-Ø (jacket)                | 5.2 mm ±5%        |
| Color (jacket)                  | gray              |
| Test voltage                    | 2500 V AC         |
| Temperature range (fixed)       | -50...+125 °C     |
| Temperature range (mobile)      | -30...+105 °C     |
| Bend radius (fixed)             | 10× outer Ø       |
| Bend radius (moving)            | 15× outer Ø       |
| Jacket Color                    | gray              |

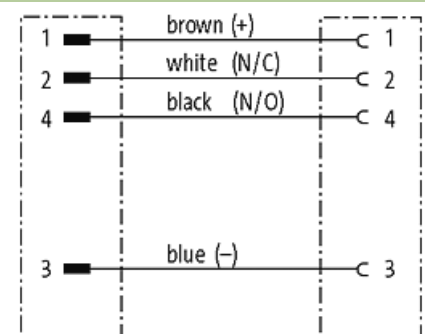
#### Technical Data

|                               |  |
|-------------------------------|--|
| Operating voltage             | max. 32 V AC/DC  |
| Operating current per contact | max. 4 A   |
| Locking of ports              | Screw thread (M12×1 mm) recommended torque 0.6 Nm, self-securing |
| Protection                    | IP68, IP69K inserted and tightened (EN 60529)                    |
| Locking material              | Stainless steel 1.4404 (V4A)                                     |

#### Commercial data

|                       |               |
|-----------------------|---------------|
| country of origin     | CZ            |
| customs tariff number | 85444290      |
| EAN                   | 4048879633826 |
| eClass                | 27279218      |
| Packaging unit        | 1             |

#### Sketch



Male

Female



Product may differ from Image